

## 400 SERIES ROTARY JOINT

Water

3/4" (DN20) - 1" (DN25)

- Single and duoflow design
- Balanced mechanical seal
- Easy replacement of sealing parts
- For poor water quality
- Threaded, flanged shafts
- Nodular casting body
- Stainless steel shaft (AISI304)
- Silicon carbide sealing components
- Bronze bushing system (No lubricate)

\*\*\* For further information please contact Rototech or local representative.

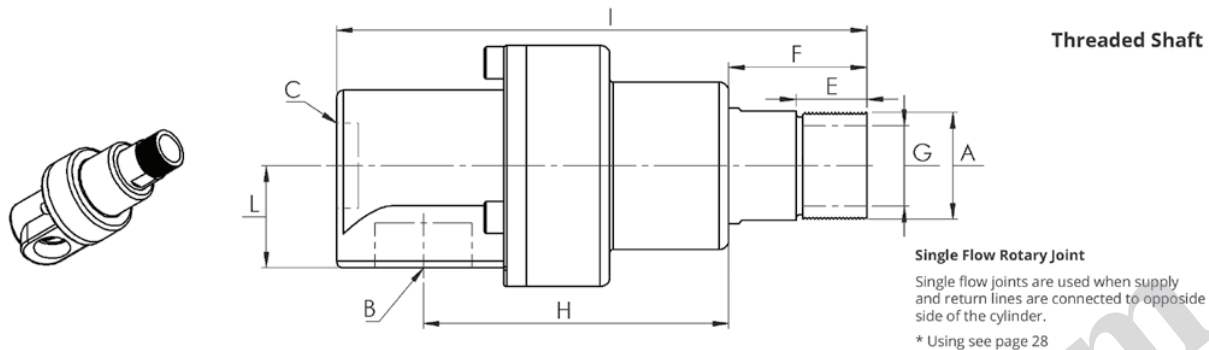


### Working Conditions

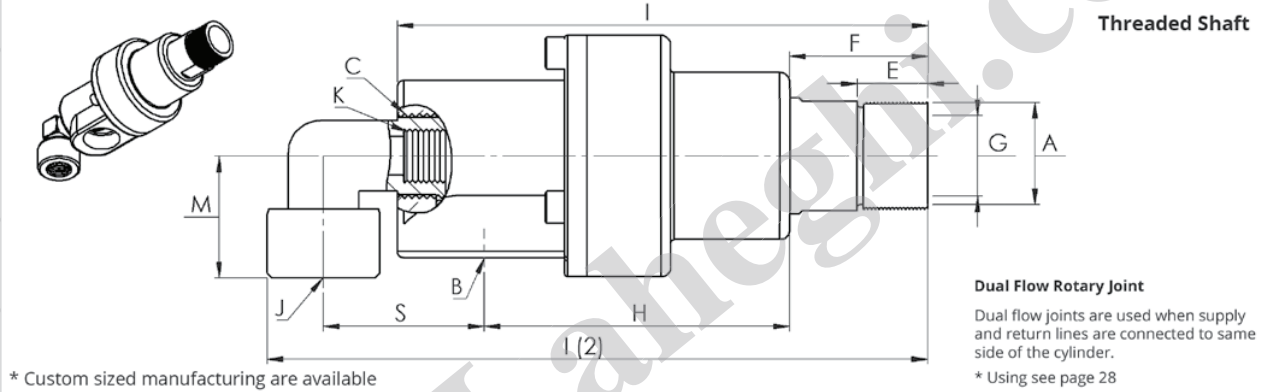
Max. Water Pressure	:	10 bar - 60°C
Max. Temperature	:	120°C
Max. Speed / RPM	:	100 rpm/min



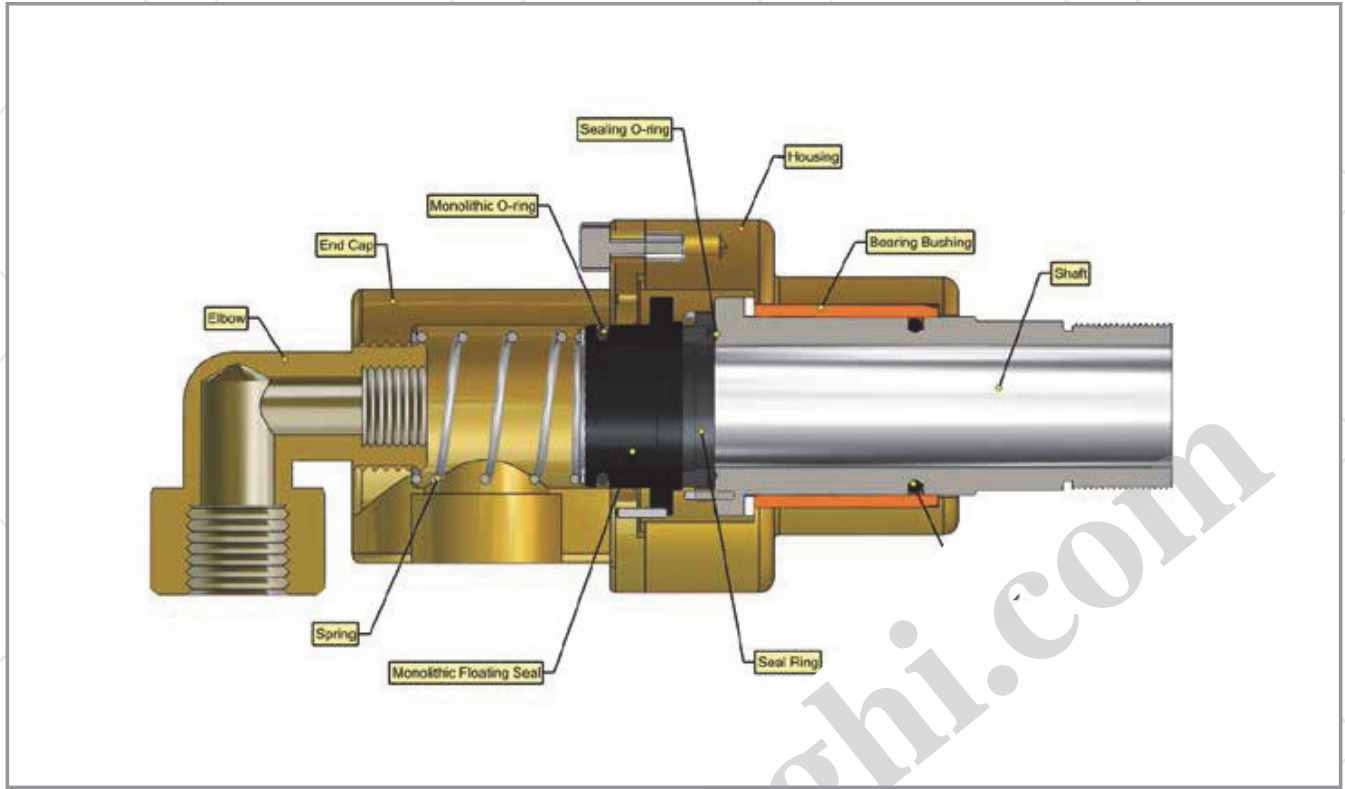
### 400 Series 3/4" (DN20) - 1" (DN25) Single Flow Rotary Joints



### 400 Series 3/4" (DN20) - 1" (DN25) Single Flow Rotary Joints



Size	Type	Model	C	D	A	J	K	E	F	G	H	O	L	I	I(2)	Kg	
3/4" (DN20)	Mono	407-036-108	3/4"	15	65	NPT-RH			17	36	20	86		28,5	147		1,45
		407-036-109	3/4"	15	65	NPT-LH			17	36	20	86		28,5	147		1,45
		407-136-208	3/4"	15	65	BSP-RH			17	36	20	86		28,5	147		1,45
		407-136-209	3/4"	15	65	BSP-LH			17	36	20	86		28,5	147		1,45
	Dual	407-036-108 D	3/4"	15	65	NPT-RH	1/2"	1/4"	17	36	20	86	33	28,5		182	1,65
		407-036-109 D	3/4"	15	65	NPT-LH	1/2"	1/4"	17	36	20	86	33	28,5		182	1,65
		407-136-208 D	3/4"	15	65	BSP-RH	1/2"	1/4"	17	36	20	86	33	28,5		182	1,65
		407-136-209 D	3/4"	15	65	BSP-LH	1/2"	1/4"	17	36	20	86	33	28,5		182	1,65
1" (DN25)	Mono	407-036-110	1"	20	75	NPT-RH			22	43	25	95		32	167		2,15
		407-036-111	1"	20	75	NPT-LH			22	43	25	95		32	167		2,15
		407-136-210	1"	20	75	BSP-RH			22	43	25	95		32	167		2,15
		407-136-211	1"	20	75	BSP-LH			22	43	25	95		32	167		2,15
	Dual	407-036-110 D	1"	20	75	NPT-RH	1/2"	3/8"	22	43	25	95	38	32		205,5	2,45
		407-036-111 D	1"	20	75	NPT-LH	1/2"	3/8"	22	43	25	95	38	32		205,5	2,45
		407-136-210 D	1"	20	75	BSP-RH	1/2"	3/8"	22	43	25	95	38	32		205,5	2,45
		407-136-211 D	1"	20	75	BSP-LH	1/2"	3/8"	22	43	25	95	38	32		205,5	2,45



Cartridge		
Model	407	410
Cartridge	407 - C BSP-RH	410 - C BSP-RH
	407 - C BSP-LH	410 - C BSP-LH
	407 - C NPT-RH	410 - C NPT-RH
	407 - C NPT-LH	410 - C NPT-LH



Repair Kit 1		
Model	407	410
T - 1	407 - T1	410 - T1



Repair Kit 2		
Model	407	410
T - 2	407 - T2	410 - T2