

4000 HO SERIES ROTARY JOINT



HOT OIL
 1/2" (DN15) - 2" (DN50)

- Mono & duoflow
- Nodular casting body
- Antimony carbon graphite sealing parts
- Stainless steel shaft & flange
- Stationary or rotating siphon system

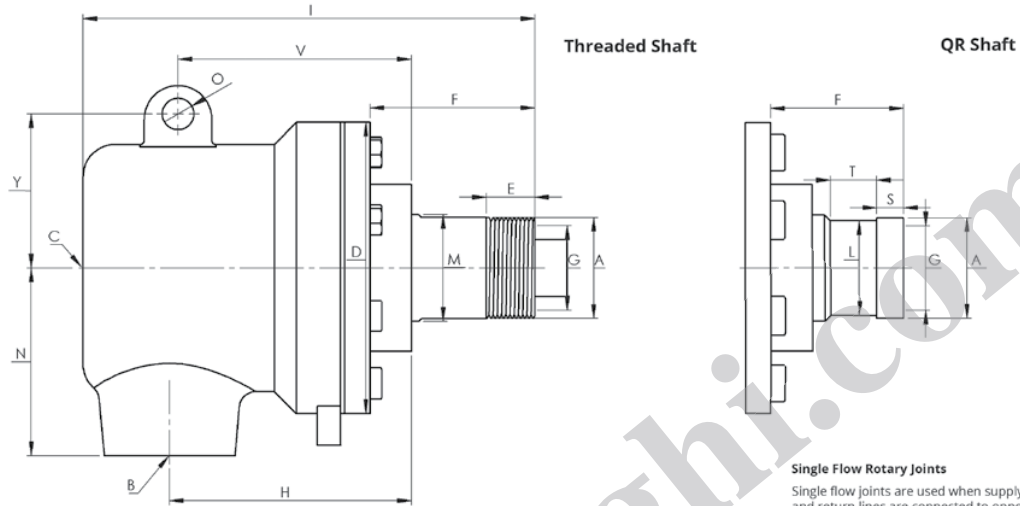
*** For further information please contact Rototech or local representative.

** No dry run!

Working Conditions

Max. Hot Oil Pressure	:	10 Bar
Max. Hot Oil Temperature	:	280 °C
Max. Speed	:	300 rpm/min



4000 HO Series 1/2" (DN15) - 2" (DN50) Single Flow Rotary Joints


* Custom sized manufacturing are available.

Single Flow Rotary Joints
 Single flow joints are used when supply and return lines are connected to opposite sides of the cylinder.
 * Using see page 20

4000HO SERIES ROTARY JOINTS - SINGLE FLOW 1/2"(DN15) - 2"(DN50)

Size DN	B	4000 Model No	A	C	D	F	E	G	H	I	Y	N	O	S	T	L	V	Kg
15	1/2"	4050-110-106 HO	1/2" NPT - RH	3/8"	92	58	18	15	73	143	42	53,50	12				70	2,07
		4050-110-107 HO	1/2" NPT - LH															
		4050-210-206 HO	1/2" BSP - RH															
		4050-210-207 HO	1/2" BSP - LH															
		4050-210-100 HO	QR															
20	3/4"	4075-110-108 HO	3/4" NPT - RH	1/2"	92	61	20	20	77,50	155	44,50	60	12				77,50	2,54
		4075-110-109 HO	3/4" NPT - LH															
		4075-210-208 HO	3/4" BSP - RH															
		4075-210-209 HO	3/4" BSP - LH															
		4075-210-100 HO	QR															
25	1"	4100-110-110 HO	1" NPT - RH	3/4"	98	64	20	25	87	167	48	67	12				84,50	3,30
		4100-110-111 HO	1" NPT - LH															
		4100-210-210 HO	1" BSP - RH															
		4100-210-211 HO	1" BSP - LH															
		4100-210-100 HO	QR															
32	1 1/4"	4125-110-112 HO	1 1/4" NPT - RH	1"	110	72	23	32	95,50	189	59	76	15				94	4,61
		4125-110-113 HO	1 1/4" NPT - LH															
		4125-210-212 HO	1 1/4" BSP - RH															
		4125-210-213 HO	1 1/4" BSP - LH															
		4125-210-100 HO	QR															
40	1 1/2"	4150-110-114 HO	1 1/2" NPT - RH	1 1/4"	138	68	22	40	108	202	73,50	89	15				104	7,45
		4150-110-115 HO	1 1/2" NPT - LH															
		4150-210-214 HO	1 1/2" BSP - RH															
		4150-210-215 HO	1 1/2" BSP - LH															
		4150-210-100 HO	QR															
50	2"	4200-110-116 HO	2" NPT - RH	1 1/2"	158	79	25	50	122	240	79	102	16				126	12,50
		4200-110-117 HO	2" NPT - LH															
		4200-210-216 HO	2" BSP - RH															
		4200-210-217 HO	2" BSP - LH															
		4200-210-100 HO	QR															

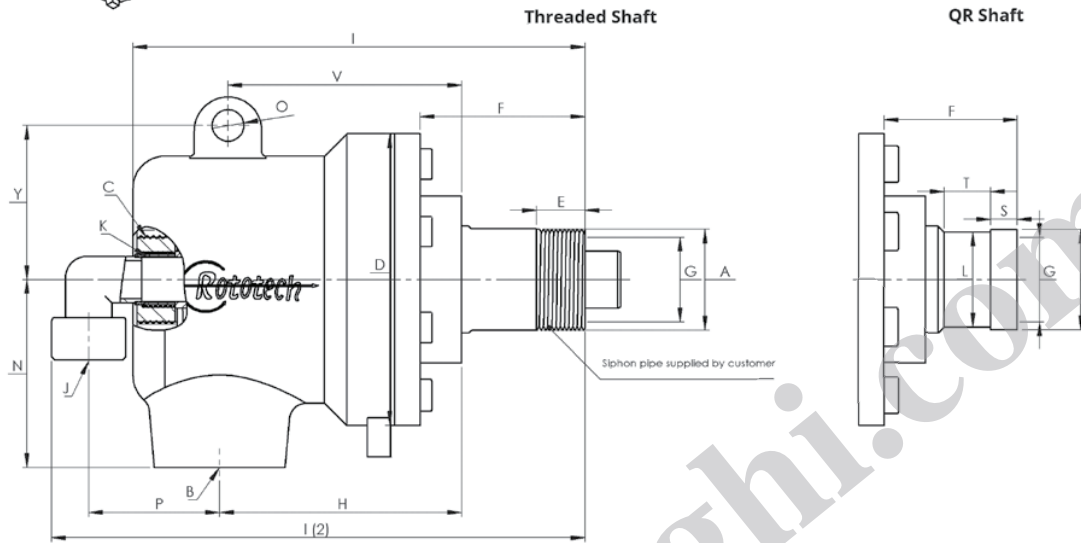
4000 HO Series 1/2" (DN15) - 2" (DN50) Duo Flow Rotary Joints



Duo Flow Rotary Joints

Single flow joints are used when supply and return lines are connected to same side of the cylinder.

* Using see page 20

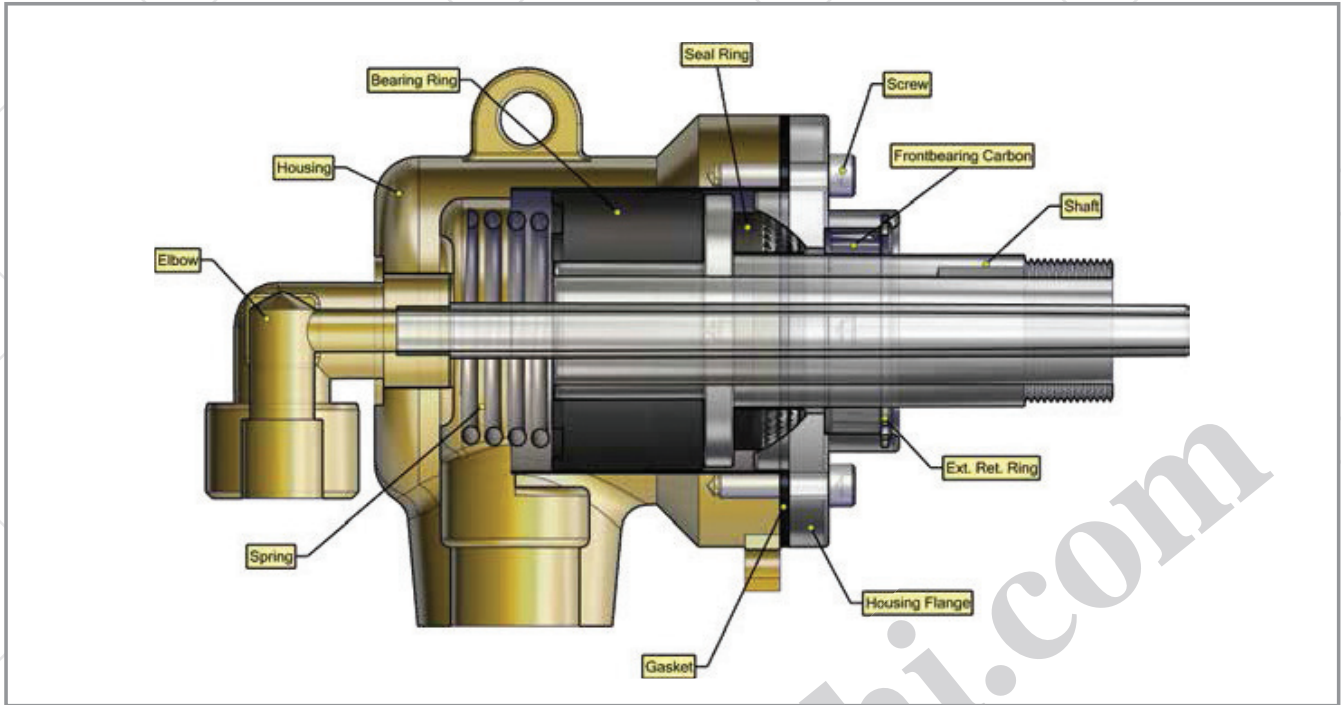


* Custom sized manufacturing are available.

Siphon Systems (K):
 Stationary and rotating siphon systems are available.

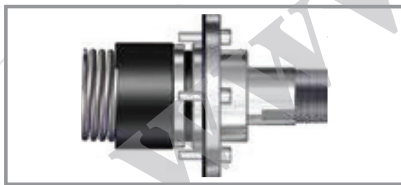
4000HO SERIES ROTARY JOINTS - DUAL FLOW 1/2"(DN15) - 2"(DN50)

Size DN	B	4000 Model No	A	C	K	J	D	F	E	G	H	I	I(2)	Y	N	P	O	S	T	L	V	Kg	
15	1/2"	4050-110-106 D HO	1/2" NPT - RH																				
		4050-110-107 D HO	1/2" NPT - LH	3/8"	1/4"	3/8"	92	58	18	15	73	143	174	42	53,50	46	12				70	2,17	
		4050-210-206 D HO	1/2" BSP - RH																				
		4050-210-207 D HO	1/2" BSP - LH	3/8"	1/4"	3/8"	92	58		15	73	143	174	42	53,50	46	12	6	11	22	70	2,17	
		4050-210-100 D HO	QR																				
20	3/4"	4075-110-108 D HO	3/4" NPT - RH																				
		4075-110-109 D HO	3/4" NPT - LH	1/2"	1/4"	3/8"	92	61	20	20	77,50	155	188	44,50	60	50,50	12				77,50	2,64	
		4075-210-208 D HO	3/4" BSP - RH																				
		4075-210-209 D HO	3/4" BSP - LH	1/2"	1/4"	3/8"	92	61		20	77,50	155	188	44,50	60	50,50	12	8	13	28	77,50	2,64	
		4075-210-100 D HO	QR																				
25	1"	4100-110-110 D HO	1" NPT - RH																				
		4100-110-111 D HO	1" NPT - LH	3/4"	3/8"	1/2"	98	64	20	25	87	167	206	48	67	53	12				84,50	3,40	
		4100-210-210 D HO	1" BSP - RH																				
		4100-210-211 D HO	1" BSP - LH	3/4"	3/8"	1/2"	98	64		25	87	167	206	48	67	53	12	8	13	33	84,50	3,40	
		4100-210-100 D HO	QR																				
32	1 1/4"	4125-110-112 D HO	1 1/4" NPT - RH																				
		4125-110-113 D HO	1 1/4" NPT - LH	1"	1/2"	1/2"	110	72	23	32	95,50	189	232	59	76	62,50	15				94	4,76	
		4125-210-212 D HO	1 1/4" BSP - RH																				
		4125-210-213 D HO	1 1/4" BSP - LH	1"	1/2"	1/2"	110	71		32	95,50	188	230	59	76	62,50	15	8	13	43	94	4,76	
		4125-210-100 D HO	QR																				
40	1 1/2"	4150-110-114 D HO	1 1/2" NPT - RH																				
		4150-110-115 D HO	1 1/2" NPT - LH	1 1/4"	3/4"	3/4"	138	68	22	40	108	202	241	73,50	89	62	15				104	7,58	
		4150-210-214 D HO	1 1/2" BSP - RH																				
		4150-210-215 D HO	1 1/2" BSP - LH	1 1/4"	3/4"	3/4"	138	68		40	108	202	240	73,50	89	62	15	10	16	48	104	7,58	
		4150-210-100 D HO	QR																				
50	2"	4200-110-116 D HO	2" NPT - RH																				
		4200-110-117 D HO	2" NPT - LH	1 1/2"	1"	1"	158	79	25	50	122	240	293	79	102	82	16				126	12,84	
		4200-210-216 D HO	2" BSP - RH																				
		4200-210-217 D HO	2" BSP - LH	1 1/2"	1"	1"	158	79		50	122	240	293	79	102	82	16	10	16	63	126	12,84	
		4200-210-100 D HO	QR																				



4000HO SERIES ROTARY JOINTS SPARE PARTS LIST

Model	4050HO	4075HO	4100HO	4125HO	4150HO	4200HO
Cartridge	4050-C-HO-BSP - RH	4075-C-HO-BSP - RH	4100-C-HO-BSP - RH	4125-C-HO-BSP - RH	4150-C-HO-BSP - RH	4200-C-HO-BSP - RH
	4050-C-HO-BSP - LH	4075-C-HO-BSP - LH	4100-C-HO-BSP - LH	4125-C-HO-BSP - LH	4150-C-HO-BSP - LH	4200-C-HO-BSP - LH
	4050-C-HO-NPT - RH	4075-C-HO-NPT - RH	4100-C-HO-NPT - RH	4125-C-HO-NPT - RH	4150-C-HO-NPT - RH	4200-C-HO-NPT - RH
	4050-C-HO-NPT - LH	4075-C-HO-NPT - LH	4100-C-HO-NPT - LH	4125-C-HO-NPT - LH	4150-C-HO-NPT - LH	4200-C-HO-NPT - LH
	4050-C-HO-QR	4075-C-HO-QR	4100-C-HO-QR	4125-C-HO-QR	4150-C-HO-QR	4200-C-HO-QR
T-1	4050-T2	4075-T2	4100-T2	4125-T2	4150-T2	4200-T2
T-2	4050-T3	4075-T3	4100-T3	4125-T3	4150-T3	4200-T3



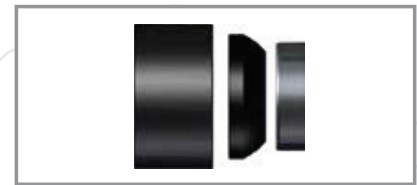
Cartridge

- Shaft
- Cover (AISI304)
- Gasket
- Front Bearing Carbon
- Ext.Ret. Ring
- Seal Ring
- Bearing Ring
- Spring
- Screw



T-1

- Gasket
- Front Bearing Carbon
- Seal Ring
- Bearing Ring
- Spring



T-2

- Front Bearing Carbon
- Seal Ring
- Bearing Ring