

Bourdon Tube Pressure Gauge Model 113.13 Plastic Case with Liquid Filling

WIKA Data Sheet PM 01.04

Applications

- Intended for adverse service conditions where pulsating or vibration exists
- Suitable for all gaseous and liquid media that will not obstruct the pressure system or attack copper alloy parts
- Hydraulics
- Compressors

Special Features

- Vibration and shock resistant
- Design DIN 837-1
- Scale ranges up to 0 ... 400 bar
- Reliable and economical



Bourdon Tube Pressure Gauge Model 113.13

Description

Design
EN 837-1

Nominal size
40, 50 and 63 mm

Accuracy class
2.5

Scale ranges
0 ... 1 up to 0 ... 400 bar
or other equivalent units of pressure or vacuum.

Working pressure
Steady: $\frac{3}{4}$ of scale range
Fluctuating: $\frac{2}{3}$ of scale range
Short time: scale range

Operating Temperature

Ambient: -20 ... +60 °C
Medium: +60 °C maximum

Temperature effect

When temperature of the pressure element deviates from reference temperature (+20 °C):
max. ± 0.4 %/10 K of the span.

Protection class

IP 65 (EN 60529 / IEC 529)

Pressure connection

Material: Cu-alloy
Lower or back mount per EN 837-1 / 7.3
40 mm: G $\frac{1}{8}$ B, SW 12 (back mount only)
50 and 63 mm: G $\frac{1}{4}$ B, SW 14

Pressure element

Cu-alloy,
 ≤ 40 bar: C-type
 > 40 bar: helical type

Movement

Cu-alloy

Dial

White plastic, with pointer stop pin with black lettering

Pointer

Black plastic

Case

NS 40: black plastic
 NS 50, 63: black plastic, with integral panel ring
 O-ring seal between case and entry stem
 Ranges ≤ 6 bar with compensating valve to vent case

Window

Clear plastic, welded with case

Liquid filling

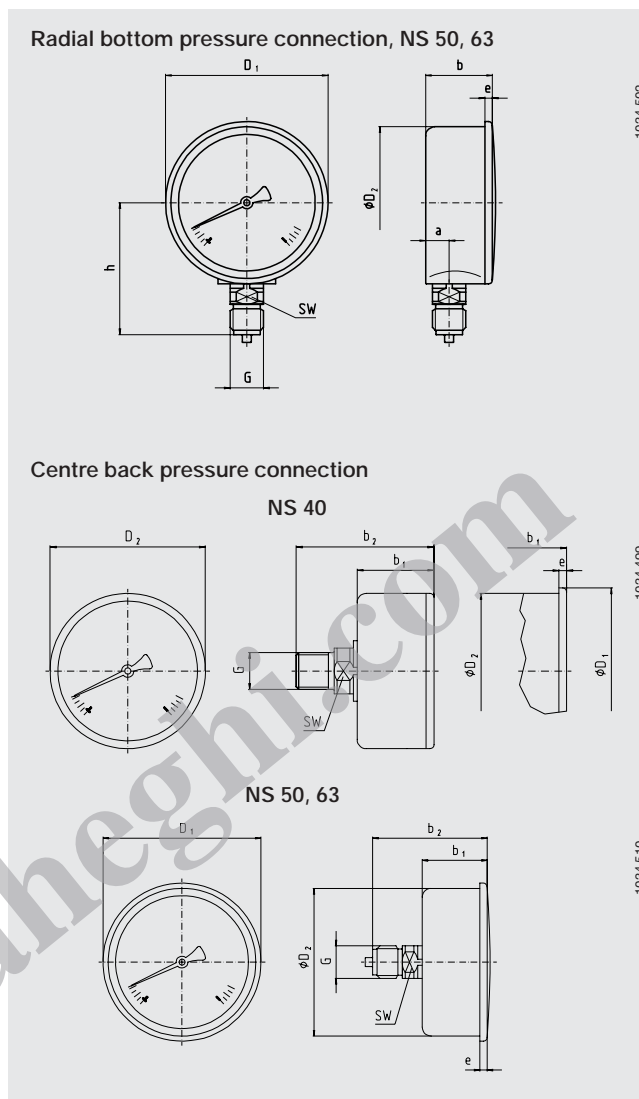
Glycerine 99,7%

Options

- NS 40: Case with integral panel ring
- NS 50, 63: 3-hole panel mounting flange
- Panel mounting clamp (for back connection)

Dimensions

Standard versions



NS	Dimensions in mm										Weight in kg
	a	b	b ₁	b ₂	D ₁	D ₂	e	G	h ± 1	SW	
40	-	-	27	42.5	44.5 ¹⁾	41	5 ¹⁾	G B	-	12	0.13
50	11.5	27	29.5	53	55	51	5	G ¼ B	48	14	0.17
63	11.5	27	29.5	53	68	63	5	G ¼ B	54	14	0.21

Standard pressure entry with parallel thread and sealing to EN 837-1 / 7.3

Ordering information

Pressure gauge model / Nominal size / Scale range / Size of connection / Optional extras required

Specifications and dimensions given in this leaflet represent the state of engineering at the time of printing. Modifications may take place and materials specified may be replaced by others without prior notice.



WIKAL Alexander Wiegand GmbH & Co. KG
 Alexander-Wiegand-Straße 30
 63911 Klingenberg/Germany
 Telefon (+49) 93 72/132-0
 Telefax (+49) 93 72/132-406
 E-Mail info@wika.de
 www.wika.de