

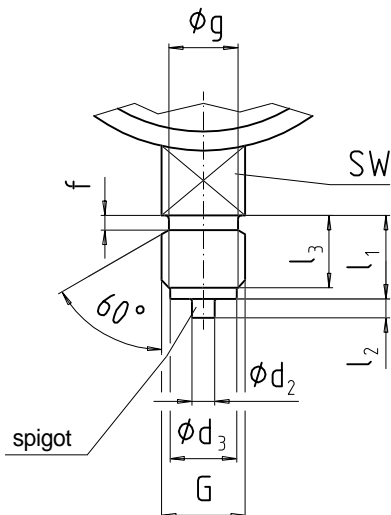
Pressure Gauge Connection

Technical Information

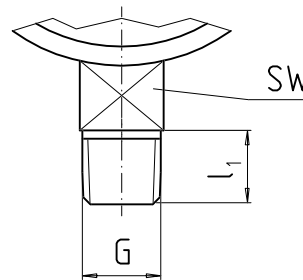
WIKA standard connector per EN 837

Pressure connection

With parallel pipe threads



With taper pipe threads



1035 908.01

 SW: hexagon, square or flats,
size see respective data sheet

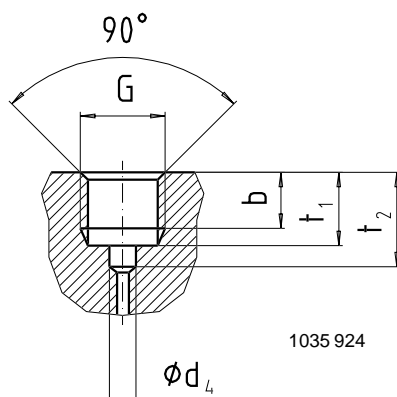
Parallel pipe threads	Dimensions [mm]							
	d_2	d_3	f with		g	l_1	l_2	l_3
			Brass	St. steel				
G					- 0.2	+ 0.3	± 0.1	+ 0.3
G 1/8 B	1)	8	1)	1)	1)	10	1)	8
M 10 x 1 ³⁾								
G 1/4 B	5	9.5	2	3	11	13	2	11
M 12 x 1.5 ³⁾					9.7			
G 3/8 B	5.5	13	2	3	14.5	16	3	13
G 1/2 B	6	17.5	3	4	18	20	3	17
M 20 x 1.5 ³⁾					17.7			

Taper pipe threads	Dimens. [mm]
G	l_1 min.
1/8 NPT	10
1/4 NPT	13
1/2 NPT	18

preferred by WIKA standard versions

1) Normally with thread outwash. No spigot or sealing shoulder.

Parallel threaded tapped holes



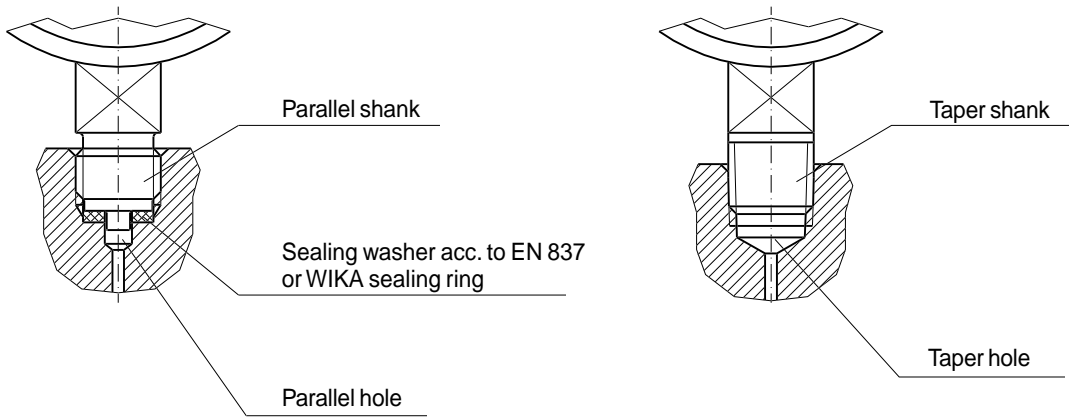
1035 924

Parallel female thread	Dimensions [mm]			
G	b min.	d_4	t_1 - 0,5	t_2 min.
G 1/8	7.5	4.4 ²⁾	10	13
M 10 x 1 ³⁾		4.5 ²⁾		
G 1/4	10	5.5	13	16.5
M 12 x 1.5 ³⁾	9.5			
G 3/8	12	6.5	16	19.5
G 1/2	15	7	19	24.5
M 20 x 1.5 ³⁾	15.5			

2) Obsolete with connector of standard WIKA supply.

3) The metric ISO threads were based on the withdrawn DIN 16 288 : 1987. These threads are no longer standardised in the EN 837.

Installation examples



1035 932.01

Standards of threads

Parallel pipe threads: pipe thread, letter symbol G according to ISO 228-1
metric ISO - thread, letter symbol M according to DIN 13 (ISO 724)

Taper pipe threads: pipe thread, letter symbol NPT according to ANSI / ASME B1.20.1

www.Laheghi.com

Subject to modifications.



WIKA Alexander Wiegand GmbH & Co. KG
Alexander-Wiegand-Straße · 63911 Klingenberg
☎ (0 9372) 132-0 · 📠 (0 9372) 132-406/414
<http://www.wika.de> · E-mail: info@wika.de